

## Alpine A3 0.72S

LEDs with optics 160°

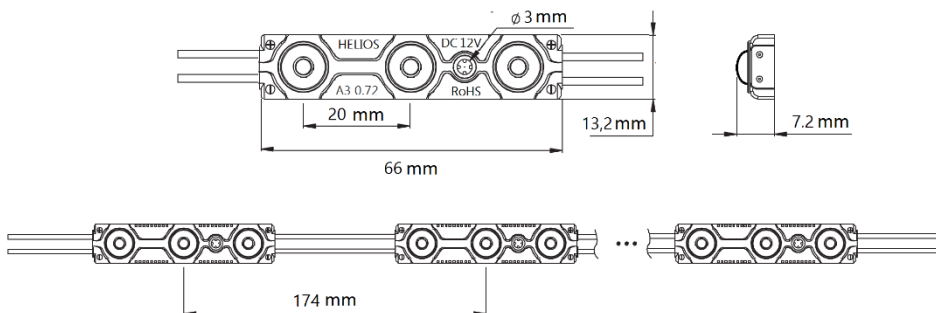


### BEST FEATURES

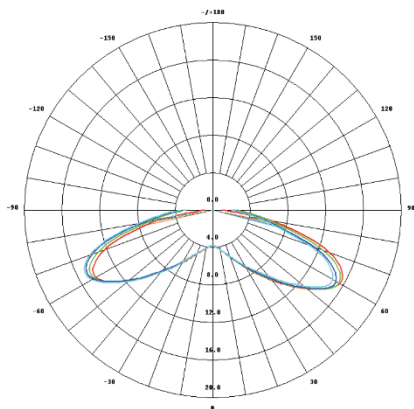
- **GREAT SOLUTION** FOR SLIM LETTERS AND LIGHT CABINETS
- **WIDE ANGLE OF RADIATION, PRO BEAM PATTERN**
- **MORE FACE COVERAGE, LESS INSTALLED MODULE, LESS COST**
- **LM80 TESTED SAMSUNG LEDs**
- **IP65 INGRESS PROTECTION**

RECOMMENDED DEPTH FOR CHANNEL LETTERS.....50 mm – 120 mm  
RECOMMENDED DEPTH FOR LIGHT CABINETS.....60 mm – 120 mm

### DIMENSIONS: units in mm



### INTENSITY DISTRIBUTION CHART



### SPECIFICATIONS\*:

Part number.....Alpine A3 0.72S  
Input voltage.....12V DC  
Power consumption (typical).....0.72 Watt  
Drive current.....60 mA  
LED package.....2835  
Housing.....PVC

Lm per module (typical).....70 lm  
Viewing angle .....160°  
CRI (minimal).....80

Available colors  
Daylight white.....6,500 K

Max. allowed quantity in series.....25 pcs  
Lead wire.....22AWG

Ingress protection.....IP 65  
Operating temperature .... - 25°C to +60°C

Meets the following standards:

EN 55015:2006+A1+A2  
EN 61547:2009;  
EN60598-  
RoHS;  
TUV EN60598-1:2008+A11 (IP TEST)

### Packaging

Anti - static bag .....150 pcs  
Master box .....1,500 pcs  
Master box G.W. .... 12,5 kg

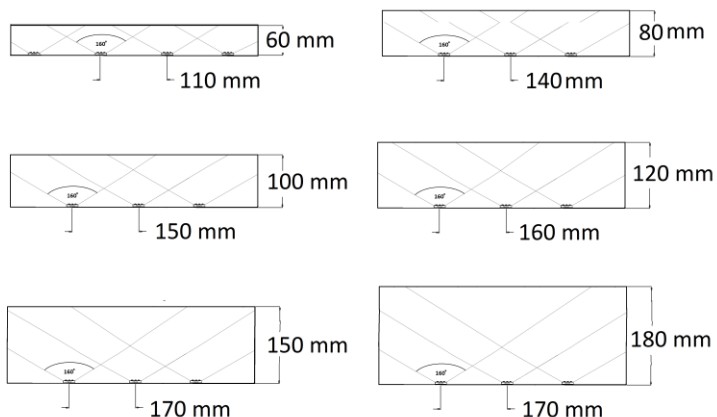
\*Technical data is subject to change without notice

Latvia  
SIA "TAMARS" (office & warehouse)  
Reg. Nr.: 43603036217  
Adrese: 20 Braslas iela, Offis 115  
Rīga, LV-1084, Latvija  
Tel.: +371 67040635  
E-mail: info@ledunicom.lv  
www.ledunicom.lv

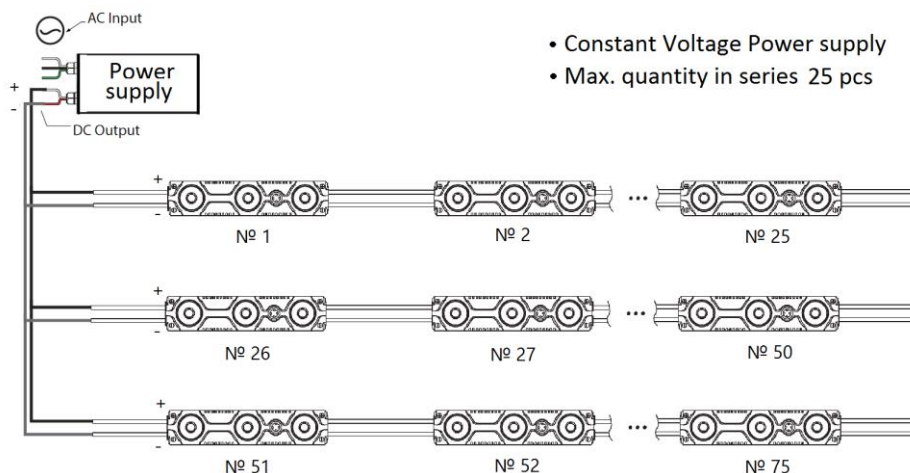
Belarus  
KIMIX LTD. (office & warehouse)  
VAT No. 100006365  
Legal address: 15 Zhilunovich str. off. 310  
Minsk, BY-220026, Belarus  
Tel.: +375 172950901  
E-mail: info@kimix.by  
www.kimix.by

Russia  
ООО «ХЕЛИОС ЛЕД»  
VAT No. 6732077309  
Legal address: 21A Bagration str.  
Smolensk, RU- 214025, Russia  
Tel.: +79267581371  
E-mail: Yurchenko@helios-led.com  
www.helios-led.com

## RECOMMENDED A3 0.72S DENSITY LAYOUT



## CONNECTION TO POWER SUPPLY



300 cd/m<sup>2</sup> 420 cd/m<sup>2</sup> 650 cd/m<sup>2</sup> 900 cd/m<sup>2</sup>

Scale of Brightness by Helios SG

